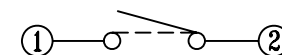
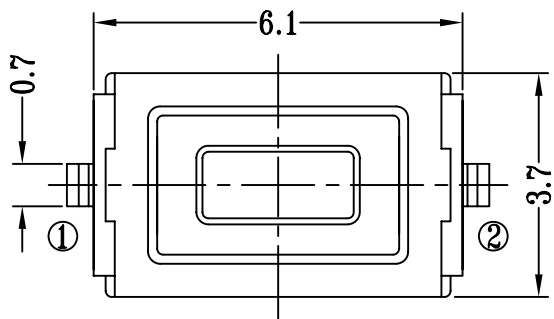
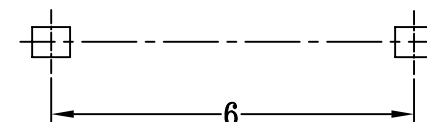
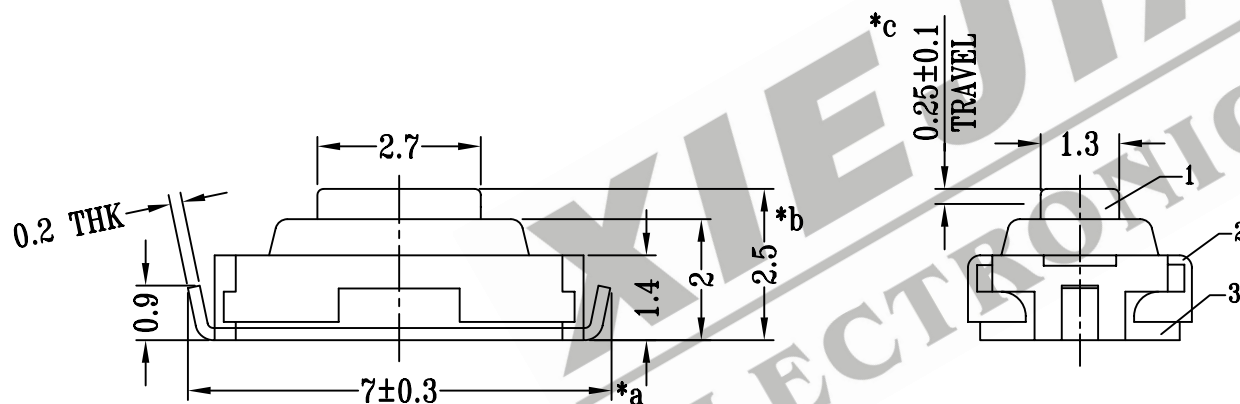


CAD FILE:



SCHEMATIC



P.C.B. LAYOUT

注:带"*"表示关键尺寸(3个)

8					TOLERANCE UNLESS SPECIFIED	SHENZHEN XIEJIA ELECTRONICS CO.,LTD.				
7										
6					WITHIN : 1.5±0.1mm OVER : 1.5±0.2mm	ISSUE	DATE	DESCRIPTIONS OF REVISION		APPD.
5	SEAL PLATE	PET	1	BROWN						
4	CONTACT	SUS	1	Ag CLAD	TITLE : TACT SWITCH		UNIT : mm	DRWG NO.: XJ-DR-TD29XU-00		
3	CASE	PA46/BRASS STRIP	1	BLACK/Ag PLATED OVER Ni PLATED						
2	COVER	SUS	1	WASHING	MODEL: TD-29XU		SCALE: 8:1	DWN.	ZHOUYU	2005-12-18
1	KNOB	NYLON+F.G	1	BLUE/WHITE				CHK'D	FANGYING	2005-12-18
NO.	PARTS	MATERIALS	Q'TY	FINISH	ALL MATERIALS MUST BE COMPLIANT TO ROHS			APPD.	KANGXINAN	2005-12-18